

KATALCO_{JM} PERFORMANCE increases production

Plant update

The KATALCO_{JM}™ PERFORMANCE approach to plant updates enables cost effective increases in production using our design experience and expertise. Our experience and unique plant modelling capability lead to practical solutions.

KATALCO_{JM} PERFORMANCE will support project implementation, using our skills and experience to strengthen local capability, either directly or with our KATALCO_{JM} PERFORMANCE alliance partners such as ABB Engineering Services and Uhde.

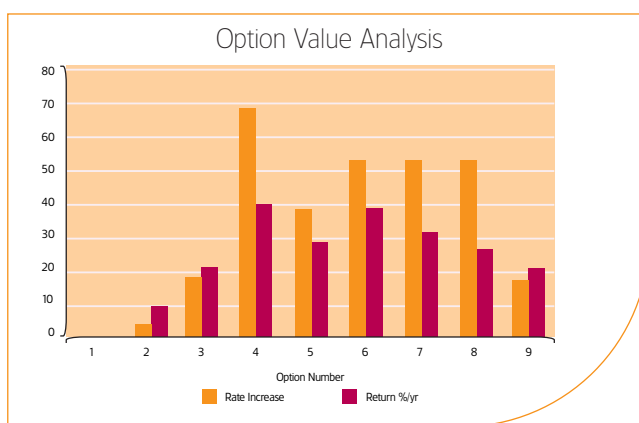
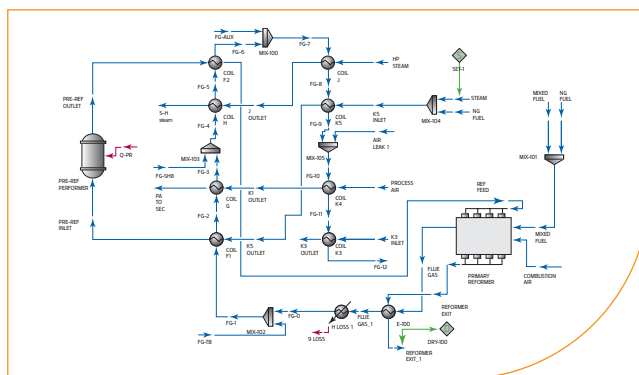
The key to developing the optimum plant update is development of a rigorous simulation model of the existing facilities. This enables potential technology enablers to be evaluated quickly and on a consistent basis. KATALCO_{JM} PERFORMANCE does this using the HYSYS modelling tool plus special additions, designed by Johnson Matthey Catalysts covering each of the catalytic stages, including the steam reformer.

At Johnson Matthey our understanding of catalysis and converter design enables innovative, cost effective, practical, conceptual and detailed engineering update design studies. One example KATALCO_{JM} PERFORMANCE has increased hydrogen plant throughput by more than 50% using the original reformer coupled with a number of plant modifications including pre-reforming.

KATALCO_{JM} PERFORMANCE evaluates the cost to benefit ratio for selected options so that alternatives can be tested against business objectives.

Execution of the selected project can use a combination of our resources, those of our KATALCO_{JM} PERFORMANCE alliance partners such as ABB Engineering Services with local resources. At each stage ensuring it is implemented in the most cost effective manner.

Our approach delivers cost effective plant updates using a flexible approach that maximizes the value generated.



For more information about the Johnson Matthey Catalysts range of KATALCO_{JM} catalysts and associated services please contact your local representative, visit our web site www.jmcatlysts.com or e-mail katalco.performance@matthey.com

KATALCO is a trademark of the Johnson Matthey group of companies.

Johnson Matthey Catalysts
PO Box 1
Billingham
Cleveland
TS23 1LB
England
Tel +44 1642 522888
Fax +44 1642 522542

Johnson Matthey Catalysts
Two TransAm Plaza Drive
Oakbrook Terrace
Illinois 60181
USA
Tel +1 630 268 6300
Fax +1 630 268 9797